

MT6050i

Human Machine Interface with 4.3" TFT LCD display



【 Introduction】

MT6000 series is the new HMI generation of Weintek. With the design concept of meeting customers' satisfaction while easy-to-Use attribute as before, a MT6000 not only performs as a Human Machine Interface but also plays as a role of data exchange center. MT6000 series is the best choice for your requirement tomorrow.

The MT6050i includes include a USB 2.0 high speed device.

Specifications

- **Construction:** plastic molding housing
- **Display:** 4.3" 65,536 color TFT LCD
- **CPU and core logic:** 32Bit RISC 400MHz processor
- **DRAM:** 64 MB DDR2 on board
- **Storage:** 128 MB flash memory on board,
(User project size: 16MB, Data and Event log size: 48MB)
- **I/O:** 1 serial ports:Com1: RS-232/RS-485 2w/4w,
1 USB 2.0 high speed device
- **RTC:** N/A
- **Power input:** 24 \pm 20%V_{DC},250mA@24VDC
- **Dimension (W x H x D):** 128 x 102 x 38mm
- **Weight:** 0.3kg
- **Software:** EB8000 V3.0.0 or later

Features

- 4.3" 480x272 TFT LCD
- Fan-less cooling system
- NEMA4/IP65 compliant front panel
- LED Back Light
- One USB client port
- Power Isolator Inside

LCD Display

Display type	TFT LCD
Display size (diagonal)	4.3"
Max colors	65536
Resolution	480 x 272
Pixel pitch (HxV, mm)	0.198 x 0.198
Viewing angle (°)	50/70/70/70(T/B/R/L)
Luminance (cd/m ²)	450
Backlight	LED
Backlight Life time	30,000 hrs.
Contrast ratio	500:1

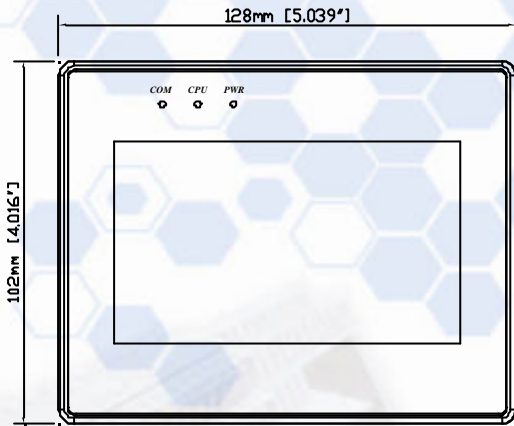
Touchscreen

- **Type:** 4-wire, analog resistive
- **Resolution:** continuous
- **Light transmission:** above 80%
- **Life:** 1 million activation minimum

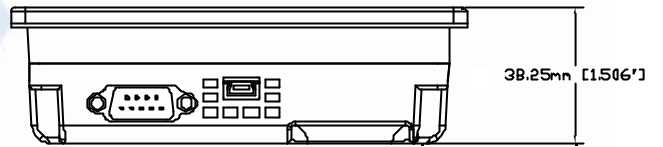
Environmental Specifications

- **Operating temperature:** 0° ~ 45°C (32° ~ 113°F)
- **Relative humidity:** 10% ~ 90% @ 40°C, non-condensing
- **Shock (operation):** 10 to 25Hz(X,Y,Z direction 2G 30minutes)
- **EMI:** Complies with FCC class A
- **CE:** Complies with EN50081-2 and EN50082-2 standards
- **Front panel meets NEMA4 / IP65**

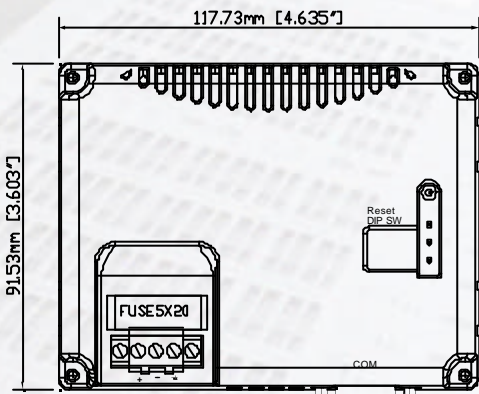
Dimensions Drawing



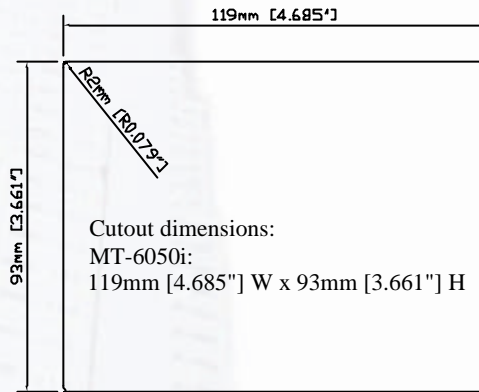
Front View



Bottom View



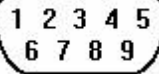
Rear View



Cutout dimensions:
 MT-6050i:
 119mm [4.685"] W x 93mm [3.661"] H

Pin Designations

Pin assignment of the 9 Pin, Male, SUB-D
 Com1[RS-232], Com1[RS-485 2w/4w]



Pin#	Symbol	Com1[RS485] 4 wire	Com1[RS485] 2 wire	Com1[RS232]
1	Rx-	Rx-	Data-	
2	Rx+	Rx+	Data+	
3	Tx-	Tx-		
4	Tx+	Tx+		
5	GND			
6	TxD			Transmit
7				
8				
9	RxD			Receive

Ordering Information

- MT6050i:**
4.3" TFT LCD HMI, 128MB flash memory/64MB DDR2 RAM on board.
- RZCMT6100:**
MT6000/8000 i series download cable / Mini USB to USB 2.0 100 cm
- RP0005050:**
4.3" Protective Sheet