

MT8056T

Human Machine Interface
with 5.6" TFT display



Introduction

MT8000 series is the new HMI generation of Weintek. With the design concept of meeting customers' satisfaction while easy-to-Use attribute as before, a MT8000 not only performs as a Human Machine Interface but also plays as a role of data exchange center. Through the most popular Ethernet connection, data can be shared among MT8000s without limitation and any SCADA/HMI software on the PC can simply access data from MT8000s. MT8000 series is the best choice for your requirement tomorrow.

Specifications

- **Construction:** plastic molding housing
- **Display:** 5.6" color TFT LCD
- **CPU and core logic:** 32Bit RISC processor
- **DRAM:** 64 MB on board
- **Storage:** 32 MB flash memory on board,
1 CompactFlash™ card slot.
- **I/O:** 3 serial ports: Com1: RS-232/RS-485 2w/4w,
Com2: RS-232,
Com3: RS-232/RS-485 2w
1 Ethernet port (10/100Base-T)
2 USB 2.0 full-speed host (12Mbps)
- **Sound output:** 20-bits Stereo output
- **RTC:** Built-in
- **Power input:** 24 V_{DC}, 370mA maximum
- **Dimension (W x H x D):** 204 x 150 x 48mm
- **Weight:** 0.85kg
- **Software:** EB8000 V1.0.1 or later

Features

- 5.6" 320x234 TFT LCD
- Fan-less cooling system
- Built-in flash memory and RTC
- NEMA4/IP65 compliant front panel
- One CompactFlash™ slot

LCD Display

Display type	TFT LCD
Display size (diagonal)	5.6"
Max colors	65536
Resolution	320 x 234
Pixel pitch (HxV, mm)	0.362 x 0.118
Viewing angle (°)	20(Top),40(Bottom),50(Left),50(Right)
Luminance (cd/m ²)	500
Storage temperature (°C)	-25~70
Operating temperature (°C)	0~45
Backlight	CCFL x 1
Backlight Life time	30,000 hrs.
Contrast ratio	150:1

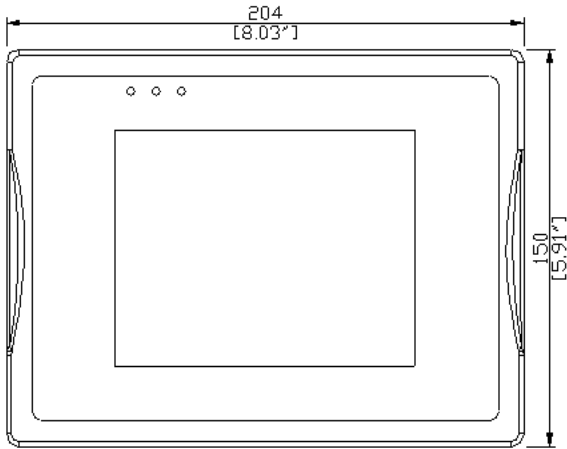
Touchscreen

- **Type:** 4-wire, analog resistive
- **Resolution:** continuous
- **Light transmission:** above 80%
- **Life:** 1 million activation minimum

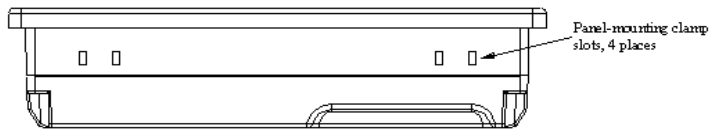
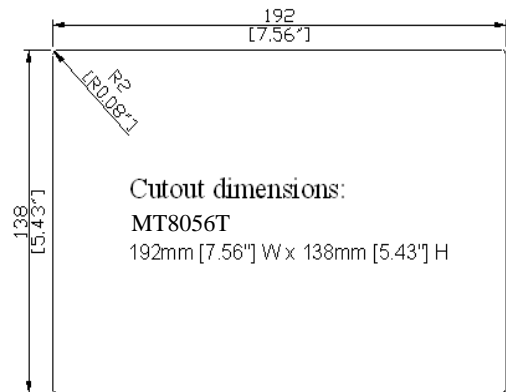
Environmental Specifications

- **Operating temperature:** 0° ~ 45°C (32° ~ 113°F)
- **Relative humidity:** 10% ~ 90% @ 40°C, non-condensing
- **Shock (operation):** 10 to 25Hz(X,Y,Z direction 2G 30minutes)
- **EMI:** Complies with FCC class A
- **CE:** Complies with EN50081-2 and EN50082-2 standards
- **Front panel meets NEMA4 / IP65**

Dimensions Drawing

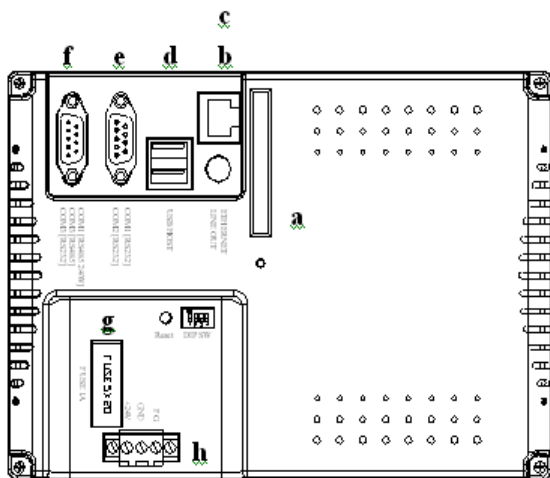
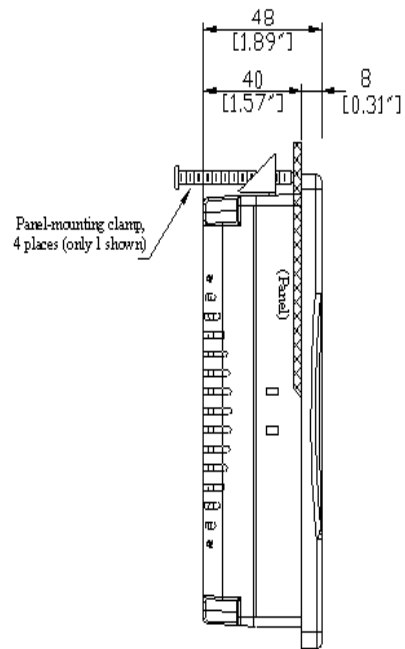


Front View



Bottom View

Side View



Rear View

a	CompactFlash™ slot	e	Com1[232], Com2[232]
b	Sound ports	f	Com1[422/485], Com3[485]
c	Ethernet port (RJ-45)	g	Fuse
d	USB Host	h	Power connector

Ordering Information

- MT8056T:**
 5.6" TFT LCD HMI, 32MB flash memory/64MB DRAM on board.
- PS506:**
 MT506/606 Protective Sheet 5 sheets per package.